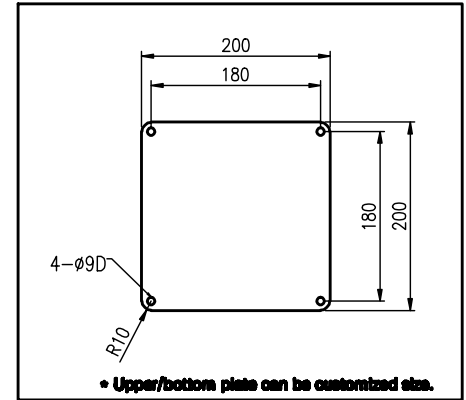
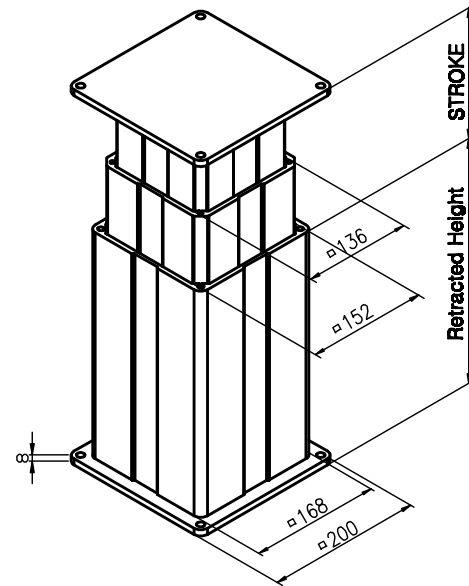
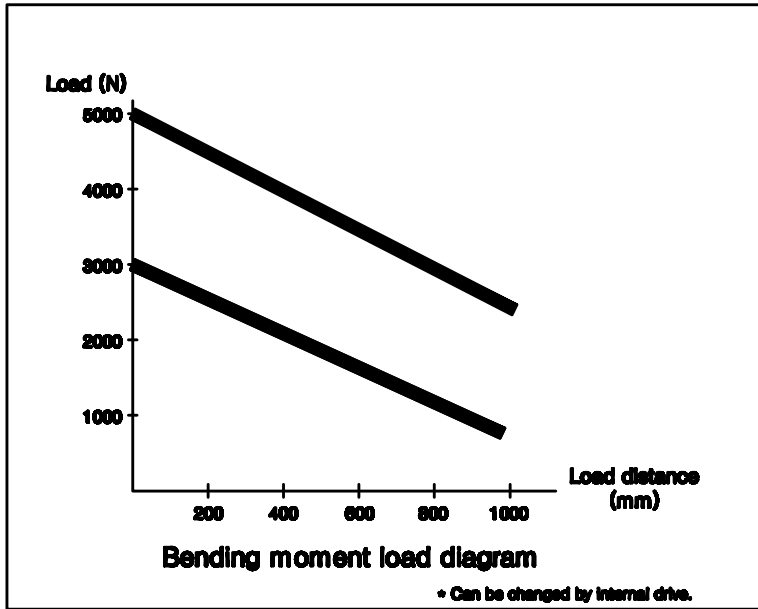


NO.	DATE	REVISION DESCRIPTION	DRAWING CHECKED	APPROVED
△				
△				

ES12-3



315 - 1000	±0.6
120 - 315	±0.5
30 - 120	±0.3
6 - 30	±0.2
0.6 - 6	±0.1
SECTION 1/4	▽▽▽▽ 0.8S
	▽▽▽ 6.3S
	▽▽ 25S
	▽ 100S

SAND BLT	GENERAL	NO. Dwg No.	DESCRIPTION	MAT'L	QTY	REMARK
PARKERIZ.	ROUND	<b>ES12</b> MOTORIZED SYSTEM				SCALE
BARNEL	R 0.3					UNIT
BRIGHT DIP		MODEL	PARTS	DATE	THIRD ANGLE PROJECTION	
BLUF	Co-6	Eg-Cr	Co-5	2012.03.27		
		Eg-CrEr	Co-4			
		Eg-CrH	Co-3			
		Eg-Ni	Co-2			
		Eg-Zn	Co-1			
					DRAWING NO.	ES-LS(48)