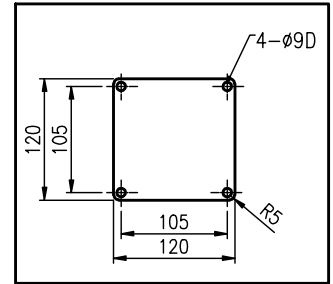
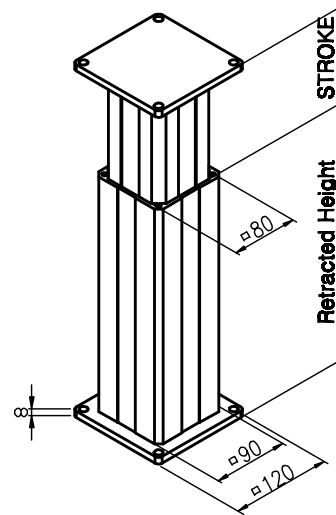
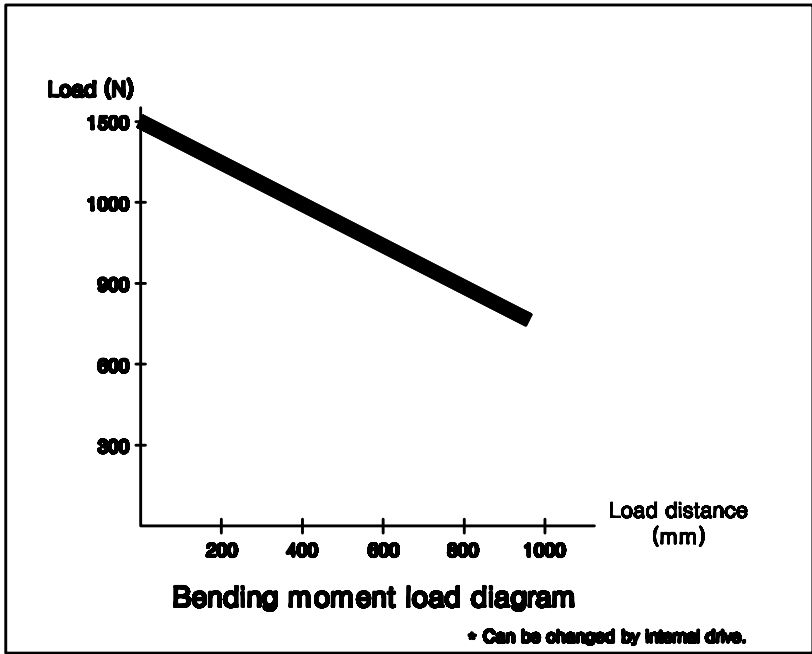


NO.	DATE	REVISION DESCRIPTION	DRAWING CHECKED	APPROVED
△				
△				

ES5



SEKONNEDL. °	315 - 1000	±0.8
	120 - 315	±0.5
	30 - 120	±0.3
	6 - 30	±0.2
	0.5 - 6	±0.1
SEKONNEN 1/5	▽▽▽▽	0.8S
	▽▽	6.3S
	▽	25S
	▽	100S

SAND BLT	GENERAL ROUND	NO. DWG No.	DESCRIPTION	MAT'L	QTY	REMARK
PARKERIZ.	R 0.3	<b>ES5</b> MOTORIZED SYSTEM				SCALE
BARREL						UNIT
BRIGHT DIP		MODEL	PARTS	DATE	THIRD ANGLE PROJECTION	
BLF	Co-6	ES-3115-00.00-0	ES-3115-00.00-0	2012.03.27.		
Eg-Cr	Co-5	DRAWING	CHECKED	APPROVED	DRAWING NO.	
Eg-CrE	Co-4				EST-L3(400)	
Eg-CrH	Co-3					
Eg-NI	Co-2					
Eg-Zn	Co-1					