

The modern double drive with SMPS (external fitting). For use worldwide, meets the eco-design directive (standby power consumption <math><0.5\text{ W}</math>).

- Load capacity: max. 6000 N on each side (for safety reasons, no pull force)
- Adjustment speed: max. 4.5 mm/sec. *
- Equipment options: additional control options (e.g. two OKIMAT in parallel controllable with one handset), 2.4 GHz radio control, emergency lowering via 9 V battery

* depending on drive configuration at constant 24/29 V without load



Note: Responsibility for OKIN products when used for specific applications and for adherence to the appropriate guidelines, standards and laws is borne by the manufacturer of the complete system into which OKIN products are fitted. We accept no liability for the correctness.

DewertOkin GmbH • Weststraße 1 • 32278 Kirchlengern
Phone: +49 (0)52 23 / 9 79 -0 • Fax: +49 (0)52 23 / 7 51 82 • Email: info@okin.de • Internet: <http://www.okin.de>

Standard configurations

Performance data

Load capacity	max. 6000 N on each side (for safety reasons, no pull force)
Adjustment speed ¹	max. 4.5 mm/sec.
Stroke length	back rest: 87 mm leg rest: 69 mm
Fitting dimension	installation length: 708 mm overall height: 120 mm installation dimension: 581 mm (+/- 2 mm) axis diameter: 25 mm
Duty cycle	2/18 min. or 10 %, max. 5 switching cycles per minute
Control unit	relay-free control, relay control
Motor voltage	maintenance-free 24 V DC motor

Components

Limit switch	with micro switch
Housing colour	black RAL 9005, grey RAL 7035
Supply cable	EURO-plug, black RAL 9017, straight, 2000 mm
SMPS	external SMPS

Further data

Connectivity ²	1 handset or 1 handheld transmitter
Protection type	IP20
Protection class	III
Relative humidity	30% – 75%
Ambient temperature	+10°C - +40°C
Power supply	100-240 V AC

Extra configurations

Performance data

Fitting dimension	axis diameter: 34 mm
-------------------	----------------------

Further data

Quick release / Retracting function ³	emergency lowering via 9 V battery
Equipment options	additional control options (e.g. two OKIMAT in parallel controllable with one handset), 2.4 GHz radio control

¹ depending on the drive configuration and the control components which are used

² (example, depending on control unit type)

³ Retracting function: The clutch of the lowering function must be open during the entire downward movement.

Product details



Plug



Label

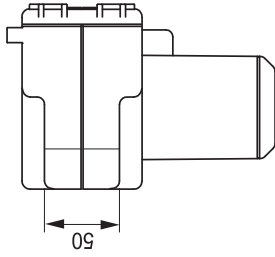


Emergency lowering via
9 V battery

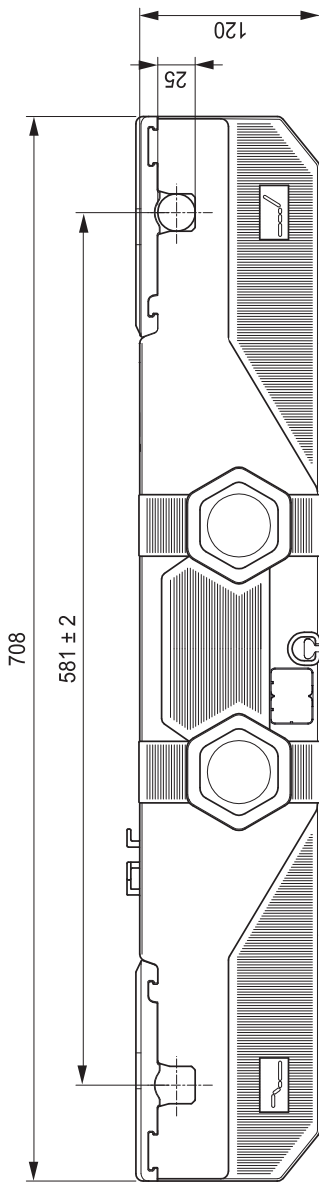


Strain relief

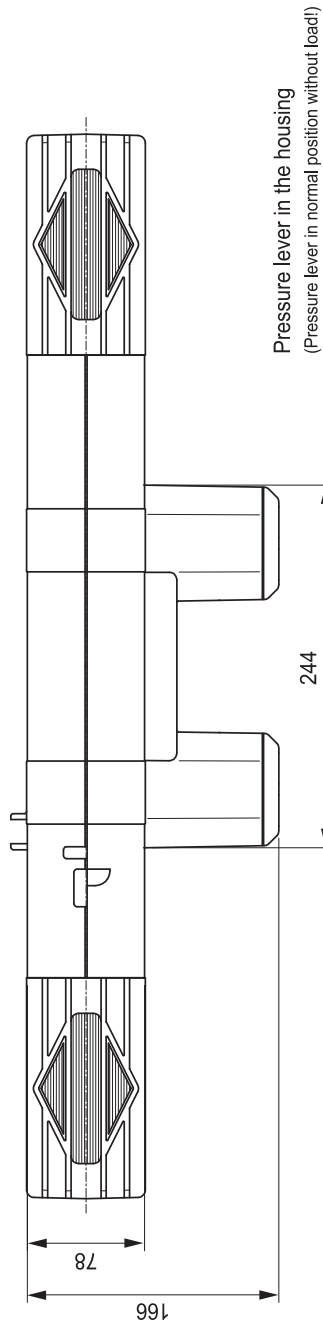
Side view



Front view

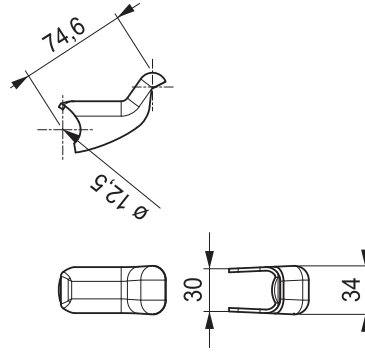


Top



Pressure lever in the housing
(Pressure lever in normal position without load!)

Pressure lever



For more informations, please contact our sales department!

Note: Responsibility for OKIN products when used for specific applications and for adherence to the appropriate guidelines, standards and laws is borne by the manufacturer of the complete system into which OKIN products are fitted. We accept no liability for the correctness.