

The high-end double drive for easy tool-free fitting. Sets high comfort standards. Numerous equipment details, e.g. integrated radio control or optional floor lighting system make use of this drive in bedding furniture even better. In the SPMS version, the drive meets the eco-design directive (standby power consumption < 0.5 W).

- Load capacity: max. 6000 N on each side (for safety reasons, no pull force)
- Adjustment speed: max. 5.4 mm/sec. \*
- Equipment options: emergency lowering, synchronous control unit, integrated floor lighting system, fittable from outside, axis diameter: 34 mm; external Bluetooth FURNIBUS adapter, also as wired system, Hall sensor, external SMPS, microprocessor control FURNIBUS

\* depending on drive configuration at constant 24/29 V without load



Note: Responsibility for OKIN products when used for specific applications and for adherence to the appropriate guidelines, standards and laws is borne by the manufacturer of the complete system into which OKIN products are fitted. We accept no liability for the correctness.

DewertOkin GmbH • Weststraße 1 • 32278 Kirchlengern  
Phone: +49 (0)52 23 / 9 79 -0 • Fax: +49 (0)52 23 / 7 51 82 • Email: info@okin.de • Internet: <http://www.okin.de>

## Standard configurations

### Performance data

Load capacity	max. 6000 N on each side (for safety reasons, no pull force)
Adjustment speed <sup>1</sup>	max. 5,4 mm/sec.
Stroke length	back rest: 48 / 69 / 74 / 87 mm leg rest: 48 / 69 / 74 / 87 mm
Fitting dimension	installation length: 714 mm component height: 119 mm axle distance: 581 mm (+/- 3 mm) axle diameter: 25 mm
Duty cycle	2/18 min. or 10 %, max. 5 switching cycles per minute
Control unit	relay control with microprocessor technology
Motor voltage	maintenance-free 24 V DC motors

### Components

Limit switch	with micro switch
Housing colour	black RAL 9005, grey RAL 7035
Supply cable	EURO-plug, black, straight, 3800 mm
Transformer / Transformer type	EI-core 50 VA, toroidal core 110 VA

### Further data

Connectivity <sup>2</sup>	connections for additional drives (e.g. head end and foot end adjustment, vibration motors) 1 handset or 1 handheld transmitter
Protection type	IP20
Protection class	II
Relative humidity	30% – 75%
Ambient temperature	+10°C - +40°C
Power supply	220-240 V AC 50-60 Hz

## Extra configurations

### Performance data

Fitting dimension	axis diameter: 34 mm
Control unit	microprocessor control "FURNIBUS", synchronous control unit

### Components

Position feedback	Hall sensor
SMPS	external

### Further data

Quick release / Retracting function <sup>3</sup>	emergency lowering via 9 V battery
Mains isolation	yes

Protection class	III with external SMPS
Equipment options	integrated floor lighting system, fittable from outside, external Bluetooth FURNIBUS adapter, also as wired system

<sup>1</sup> depending on the drive configuration and the control components which are used

<sup>2</sup> (example, depending on control unit type)

<sup>3</sup> Retracting function: The clutch of the lowering function must be open during the entire downward movement.

## Product details



Stacking aid for slatted bed frames



Connection for 9 V block batteries



Transport securing device for mains cut-off



Snap-in locking device



Strain relief

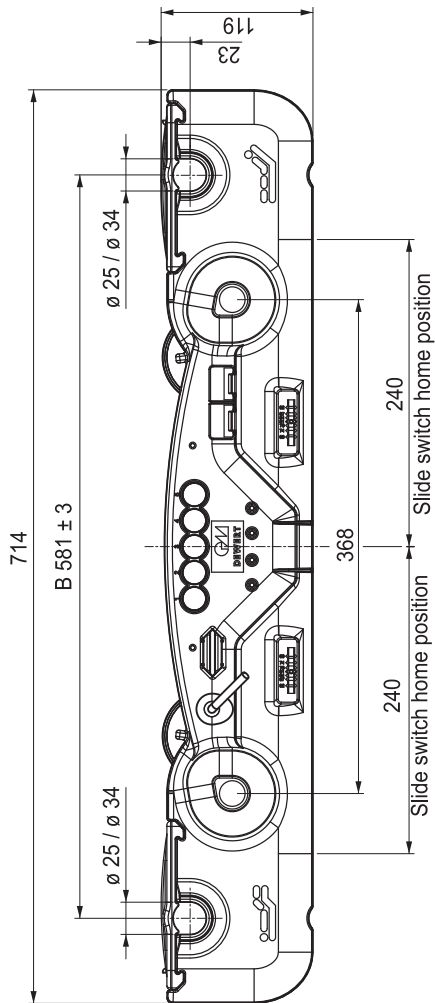


Integrated floor lighting system

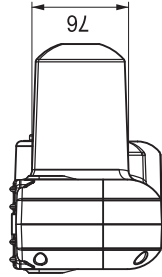


External mountable floor lighting

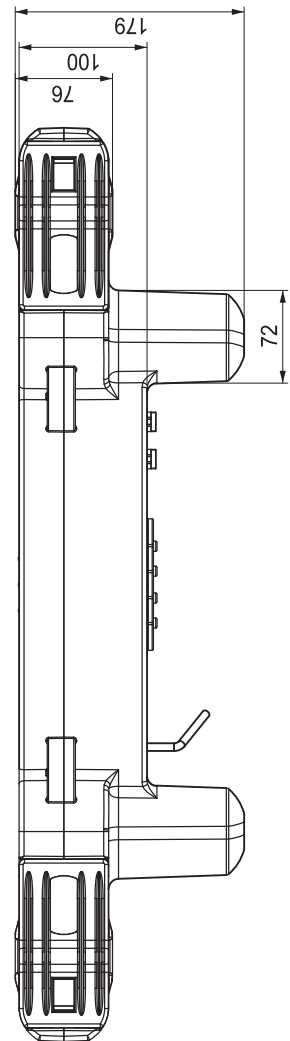
Front view



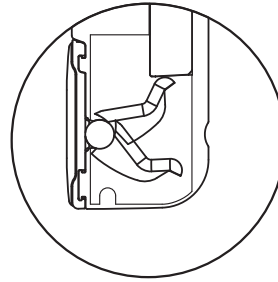
Side view



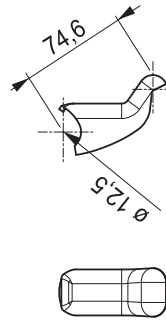
Top



Pressure lever in the housing  
(Pressure lever in normal position without load!)



Pressure lever



For more informations, please contact our sales department!

Note: Responsibility for OKIN products when used for specific applications and for adherence to the appropriate guidelines, standards and laws is borne by the manufacturer of the complete system into which OKIN products are fitted. We accept no liability for the correctness.