

Extra-compact double drive for smooth adjustment of seating and bedding furniture. Durable, efficient worm gear with high-performance self-locking function. Possible connection of an additional OKIMAT 300 or 2 single drives. Heating and vibration can be used.

- Load capacity: max. 4000 N on each side (for safety reasons, no pull force)
- Adjustment speed: max. 3.5 mm/sec. *
- Control unit: relay circuit
- Connection options:
connections for operating elements: 1
- Equipment options: emergency lowering via 9 V battery on models with no mains cut-off, control unit integrated in housing, Hall sensor for external control

* depending on drive configuration at constant 24/29 V without load



Note: Responsibility for OKIN products when used for specific applications and for adherence to the appropriate guidelines, standards and laws is borne by the manufacturer of the complete system into which OKIN products are fitted. We accept no liability for the correctness.

DewertOkin GmbH • Weststraße 1 • 32278 Kirchlengern
Phone: +49 (0)52 23 / 9 79 -0 • Fax: +49 (0)52 23 / 7 51 82 • Email: info@okin.de • Internet: <http://www.okin.de>

Standard configurations

Performance data

Load capacity	max. 4000 N on each side (for safety reasons, no pull force)
Adjustment speed ¹	max. 3.5 mm/sec.
Stroke length	back rest: 50 / 55 / 59 / 69 / 74 / 87 / 92 mm leg rest: 55 / 69 / 74 / 87 / 92 mm
Fitting dimension	installation length: 440 mm component height: 162 mm axle distance: 300 mm (+/- 2 mm) axle diameter: 25 mm
Duty cycle	2/18 min. or 10 %, max. 5 switching cycles per minute
Control unit	relay-free control
Motor voltage	maintenance-free 24 V DC motor

Components

Limit switch	with micro switch
Housing colour	black RAL 9005
Supply cable	EURO-plug, black RAL 9017, with OKIN mains free isolation, straight, 3500 mm EURO-plug, black RAL 9017, straight, 4000 mm
Transformer / Transformer type	50 VA

Further data

Connectivity ²	1-2 additional single drives or 1 further OKIMAT 300 1 handset or 1 remote control
Protection type	IP20
Protection class	II
Relative humidity	30% – 75%
Ambient temperature	+10°C - +40°C
Power supply	100 V AC, 120 V AC, 230 V AC, 240 V AC

Extra configurations

Performance data

Control unit	relay control
Position feedback	Hall sensor for external control

Further data

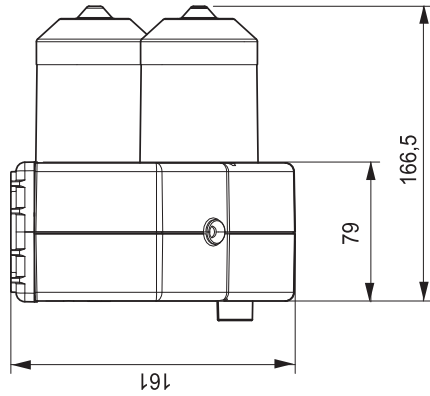
Quick release / Retracting function ³	emergency lowering via 9 V battery on models with no mains cut-off
Mains isolation	yes
Equipment options	control unit integrated in housing

¹ depending on the drive configuration and the control components which are used

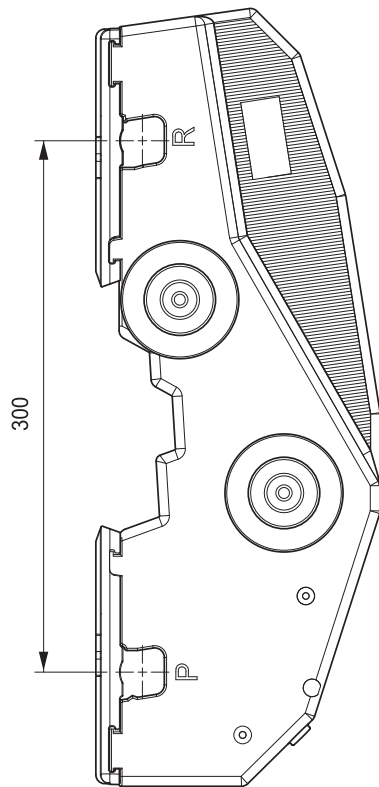
² (example, depending on control unit type)

³ Retracting function: The clutch of the lowering function must be open during the entire downward movement.

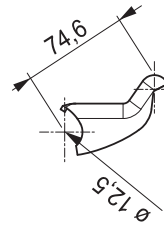
Side view



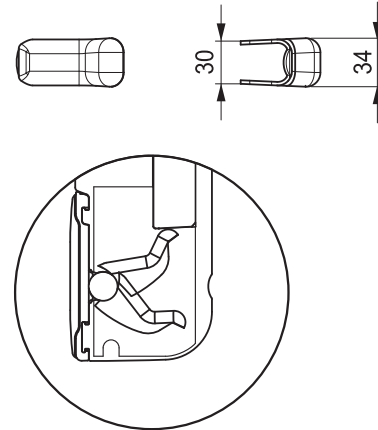
Front view



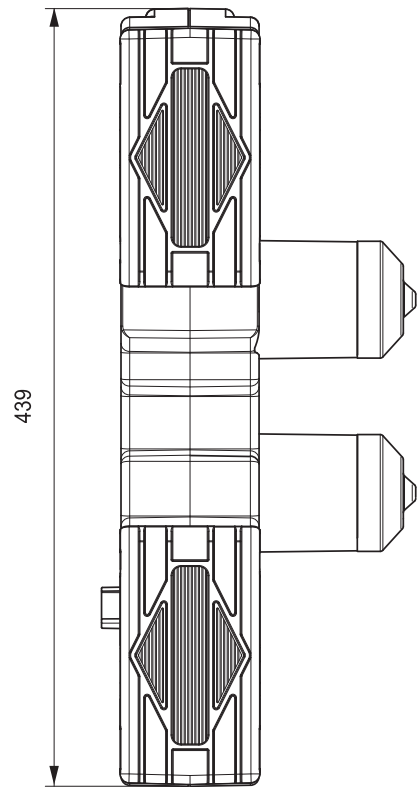
Pressure lever



Pressure lever in the housing
(Pressure lever in normal position without load!)



Top



For more informations, please contact our sales department!