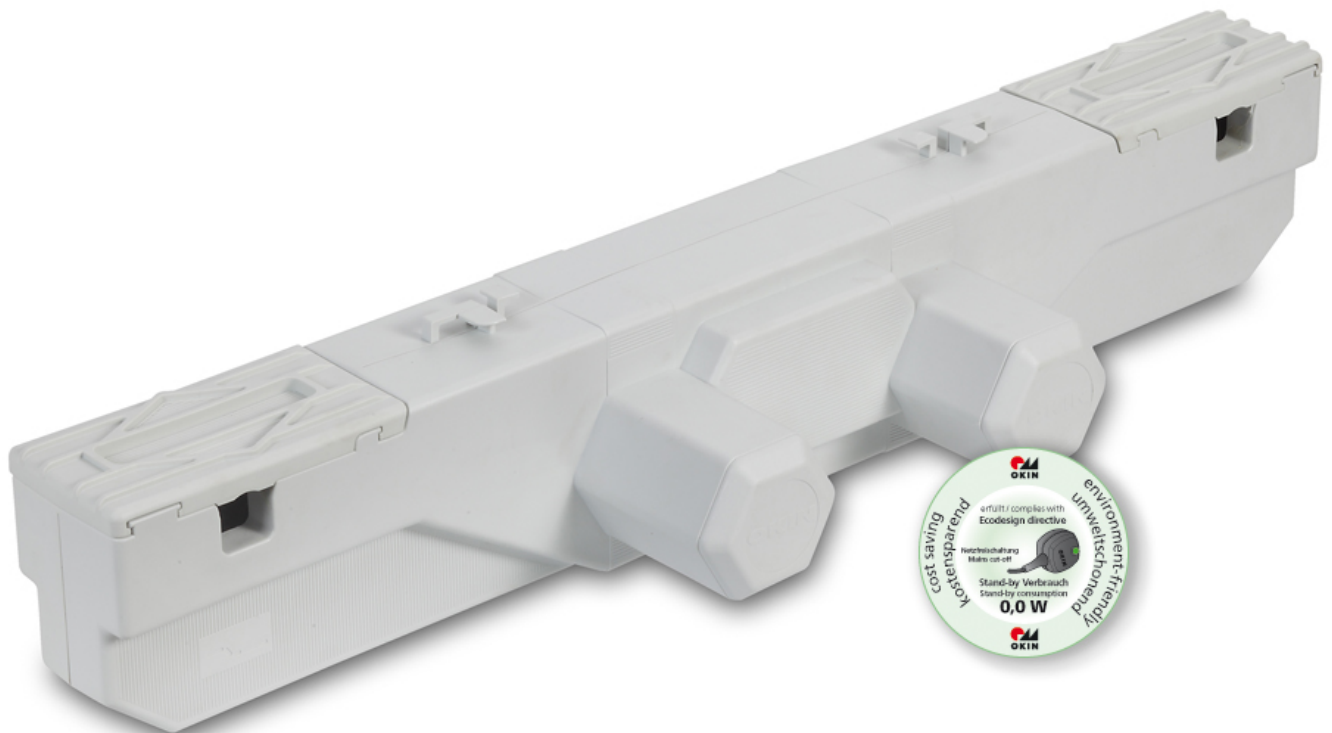


The specialised double drive. The patented mains cut-off with emergency lowering ensures that the application is absolutely free of electromagnetic AC fields. The eco-design directive is considerably exceeded (standby consumption 0.0 W).

- Load capacity: max. 6000 N on each side (for safety reasons, no pull force)
- Adjustment speed: max. 3.9 mm/sec. \*
- Equipment options: additional control options (e.g. two OKIMAT in parallel controllable with one handset)

\* depending on drive configuration at constant 24/29 V without load



Note: Responsibility for OKIN products when used for specific applications and for adherence to the appropriate guidelines, standards and laws is borne by the manufacturer of the complete system into which OKIN products are fitted. We accept no liability for the correctness.

DewertOkIn GmbH • Weststraße 1 • 32278 Kirchlengern  
Phone: +49 (0)52 23 / 9 79 -0 • Fax: +49 (0)52 23 / 7 51 82 • Email: info@okin.de • Internet: <http://www.okin.de>

## Standard configurations

### Performance data

Load capacity	max. 6000 N on each side (for safety reasons, no pull force)
Adjustment speed <sup>1</sup>	max. 3.9 mm/sec.
Stroke length	back rest: 48 / 53 / 69 / 74 / 87 mm leg rest: 48 / 53 / 69 / 74 / 87 mm
Fitting dimension	installation length: 708 mm component height: 120 mm axle distance: 581 mm (+/- 2 mm) axle diameter: 25 mm
Duty cycle	2/18 min. or 10 %, max. 5 switching cycles per minute
Control unit	relay control
Motor voltage	maintenance-free 24 V DC motor

### Components

Limit switch	with micro switch
Housing colour	black RAL 9005, grey RAL 7035
Supply cable	EURO-plug, black RAL 9017, straight, 2000 mm
Transformer / Transformer type	50 VA , 100 VA

### Further data

Connectivity <sup>2</sup>	1 handset or 1 handheld transmitter
Retracting function / Quick release	emergency lowering via 9 V battery
Mains isolation	yes
Protection type	IP20
Protection class	II
Relative humidity	30% – 75%
Ambient temperature	+10°C - +40°C
Power supply	100 V AC, 120 V AC, 230 V AC, 240 V AC

## Extra configurations

### Performance data

Fitting dimension	axis diameter: 34 mm
-------------------	----------------------

### Further data

Equipment options	additional control options (e.g. two OKIMAT in parallel with one handset)
-------------------	---

<sup>1</sup> depending on the drive configuration and the control components which are used

<sup>2</sup> (example, depending on control unit type)

## Product details



Mains isolation



Label

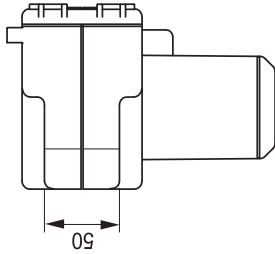


Emergency lowering via  
9 V battery

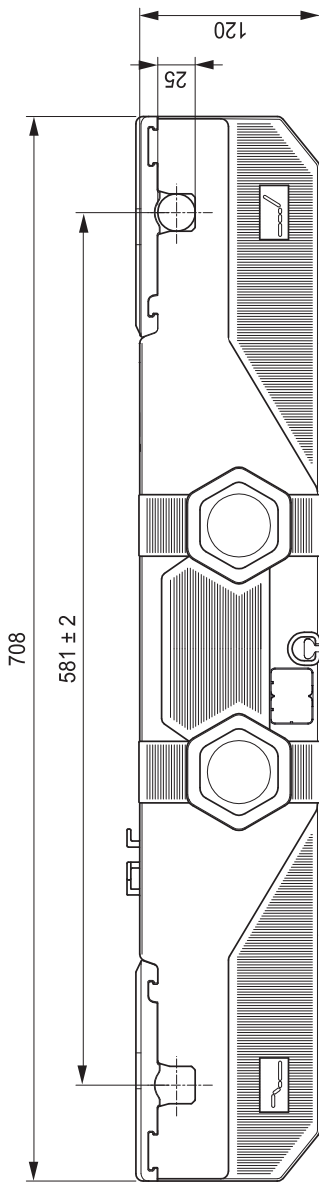


Strain relief

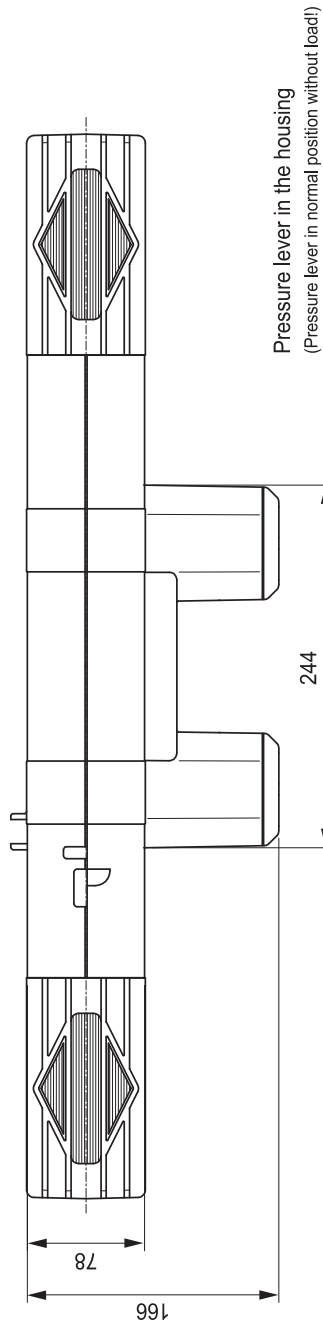
Side view



Front view



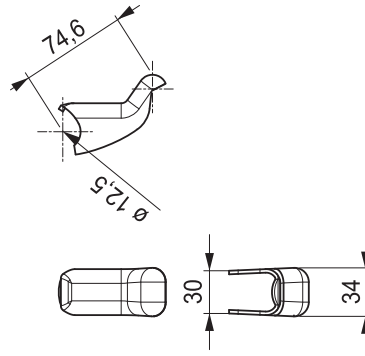
Top



Pressure lever in the housing  
(Pressure lever in normal position without load!)



Pressure lever



For more informations, please contact our sales department!

Note: Responsibility for OKIN products when used for specific applications and for adherence to the appropriate guidelines, standards and laws is borne by the manufacturer of the complete system into which OKIN products are fitted. We accept no liability for the correctness.